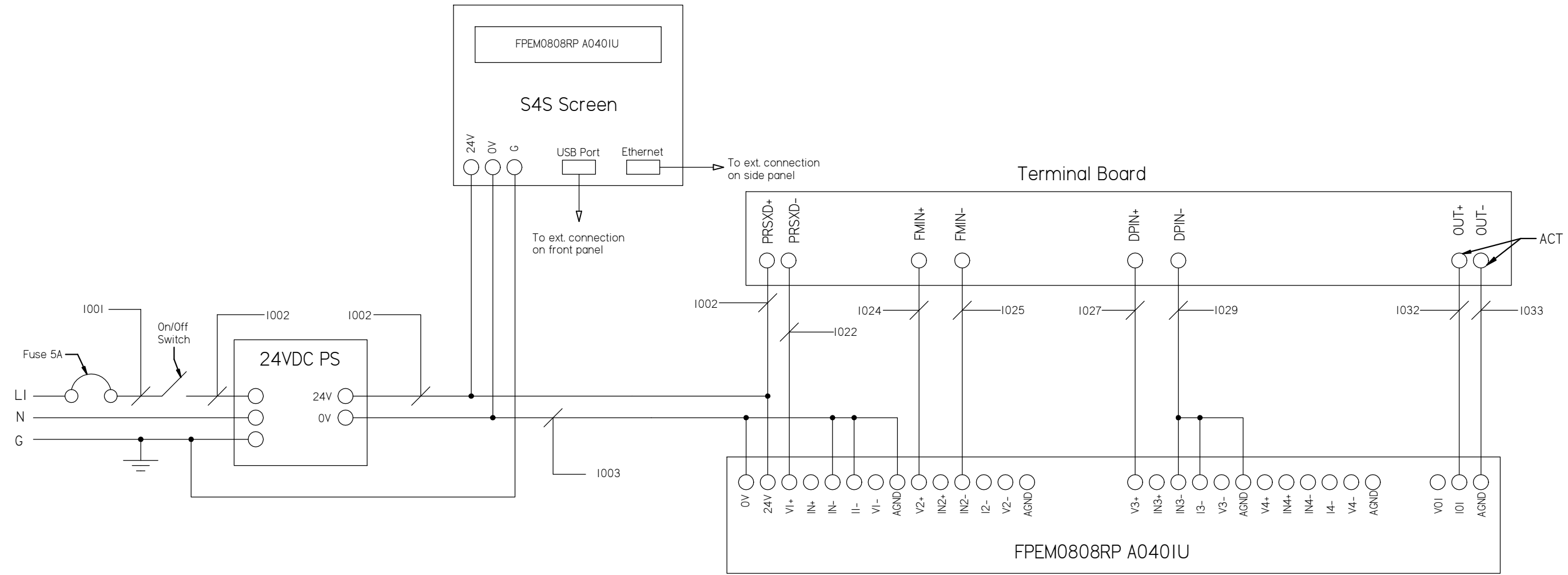


This drawing depicts a typical installation for the Atlas Air & Water equipment requested within the dimensions supplied. This is a general arrangement drawing showing required service and ventilation for the Atlas Air & Water equipment and is not indicative of all additional site work required to complete the installation.

Neither the original nor copies may be provided or disclosed to third parties in any fashion. We reserve the right to make changes in the course of development. This drawing can only be modified with CAD.



PRXD - Pressure Transducer
 F - Flow Meter (optional)
 DP - Dew Point Montitor (optional) ACT -
 Wires to PFE Valve Actuator

1) AC Mains should be connected to earth grounded, three prong plug that comes with PFE Electronic Conrol Panel 2.) If three prong grounded plug is removed the cabling should be of minimum 18 AWG wire and follow local, state and national codes

This drawing also contains work to be done on site. All site work (to include site preparation/ construction, system component assembly and installation, etc.) must be done in accordance with all relevant local, state, and national building, electrical, and occupational safety codes and regulations. Product manuals must be read and understood by the end-user and any sub-contractor responsible for, and prior to, installation of the equipment. Installation guidelines in the manuals must be followed. All Danger, Warning, and Caution notes and decals in the manuals and on the equipment must be observed. All equipment must comply with the relevant safety codes and standards in force at the time of manufacture.

				Documents released by engineering are identified by these characteristics in the title block: Date of review/release and name of the reviewing/releasing individual.					
Project No. Status			Station Setup ID			Station ID			
07				Date	Name	AA&W PFE Electronic Control Panel /			
06			Drawing	4/11/2019	M. Huberty				
05			Review	4/11/2019	M. Huberty				
04			Released	4/11/2019	M. Huberty				
03			Template Rev. 24.04.2018						
02						Sketch	Page 1 of 1	Paper size	ANSI B /
01						P&I Diagram		Description	
00	Wiring Diagram	4/11/2019	M. Huberty				Sketch	WD 4323	
Rev.	Modification	Date	Name	Original			Replaces	Replaced by	