



# BFC 1000E & BFC 3000E Installation and Maintenance

## Thank you!

You have just purchased a quality Atlas Air & Water BFC 1000E or BFC 3000E Flow Control Valve.

With care in it's installation and maintenance, you can expect to have a long and economical service life. before you go any further, please take a few minutes to look over this information, then save it for future reference and for the useful service information it contains.

## Installation

1. Depressureize and lockout air pressure.
2. Upstream pipes must be free of dirt and liquids.
3. Filters should be installed immediately ahead of Regulators to insure clean supply of air.
4. Install the BFC as near as possible to the receiver tank it serves.
5. Install the BFC so that air flows from inlet to outlet as shown on the head.
6. The BFC Regulators can be installed in any orientation.
7. The BFC Regulators should be installed upstream of any Lubricators in the airline.

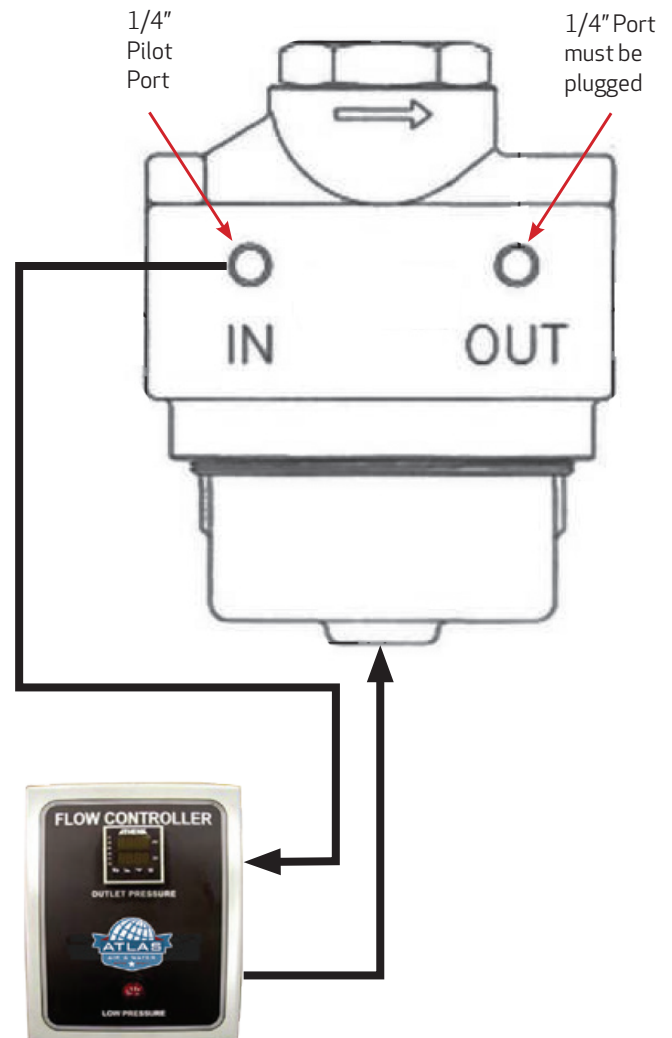
## Operation

1. Outlet pressure of the BFC is dependent on the Control Panel. To increase the BFC pressure, touch the UP arrow. To decrease the BFC pressure, touch the DOWN arrow.
2. The top read is tank air pressure. The bottom read is set pressure of compressed air downstream of the BFC.

## To Clean or Repair

1. Depressureize and lockout air pressure.
2. Remove dome by turning counter-clockwise.
3. Piston can now be removed.
4. Remove cap by turning counter-clockwise.
5. Valve Spring and Valve can now be removed.
6. When reassembling be sure that all seals are correctly located. Torque Cap and Dome to 80-100 ft-lbs.
7. If the BFC cannot be repaired by cleaning with soap and water, the parts should be replaced.

Information continued on back side.

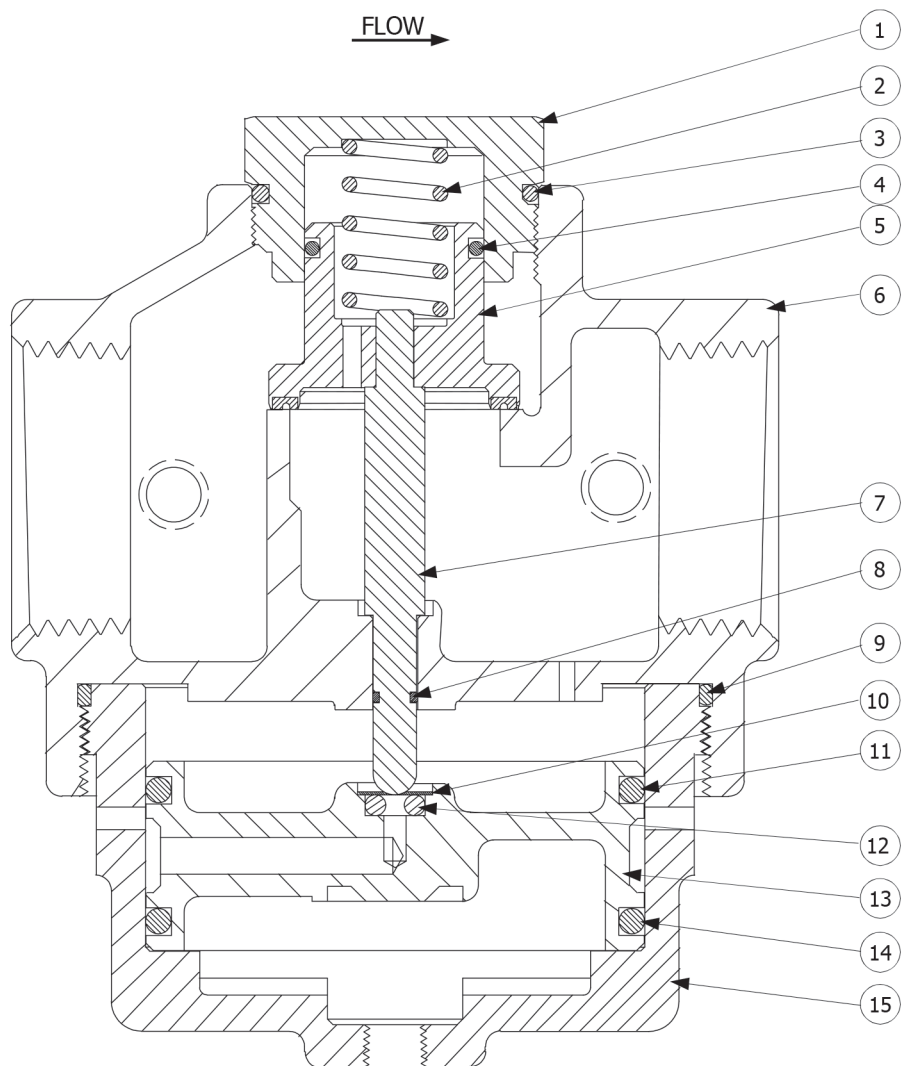


## BFC 1000E Replacement Parts

PART NUMBER	DESCRIPTION
BFC KAR200	O-Ring Kit (Includes all 7)
BFC A37-89	Valve Assembly Kit
BFC A37-89V	Valve Assembly Kit - Viton
BFC A37-83	Valve Assembly Kit
BFC A37-83Q	Piston Assembly Kit - Constant Bleed

## Replacement Parts

KEY	DESCRIPTION
1	Cap
2	Valve Spring
3	O-Ring
4	O-Ring
5	Valve
6	Head
7	Valve Stem
8	O-Ring
9	O-Ring
10	Retaining Ring
11	O-Ring
12	O-Ring
13	Piston
14	O-Ring
15	Dome



## BFC 3000E Replacement Parts

PART NUMBER	DESCRIPTION
BFC KAPR300	O-Ring Kit (Includes all 7)
BFC KAPR300V	O-Ring Kit - Viton (Includes all 7)
BFC A37-264	Valve Assembly Kit (Valve Spring, O-Rings and Poppet Valve)
BFC A37-264V	Valve Assembly Kit - Viton (Valve Spring, O-Rings and Poppet Valve)
BFC A37-267	Valve Assembly Kit (Retaining Ring, O-Rings and Piston)
BFC A37-267V	Valve Assembly Kit - Viton (Retaining Ring, O-Rings and Piston)
BFC A37-267Q	Piston Assembly Kit - Constant Bleed (Retaining Ring, O-Rings and Piston)

## Replacement Parts

KEY	DESCRIPTION
1	Cap
2	Valve Spring
3	O-Ring
4	O-Ring
5	Poppet Valve
6	Head
7	Valve Stem
8	O-Ring
9	O-Ring
10	Retaining Ring
11	O-Ring
12	O-Ring
13	Piston
14	O-Ring
15	Dome

