

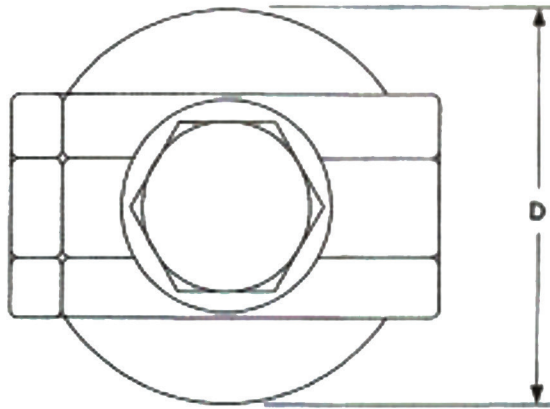
BFC-1000E Installation Guide and Panel

Page 1 of 2



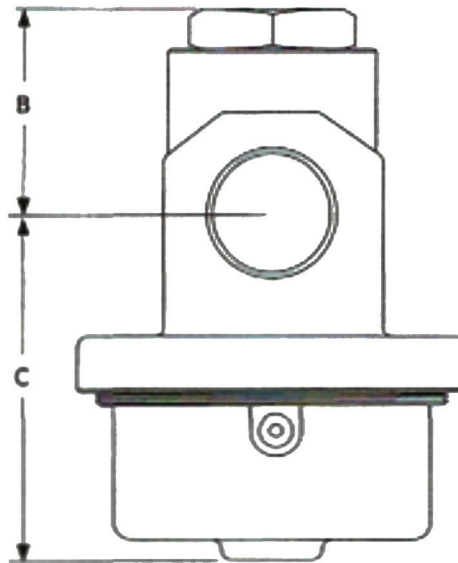
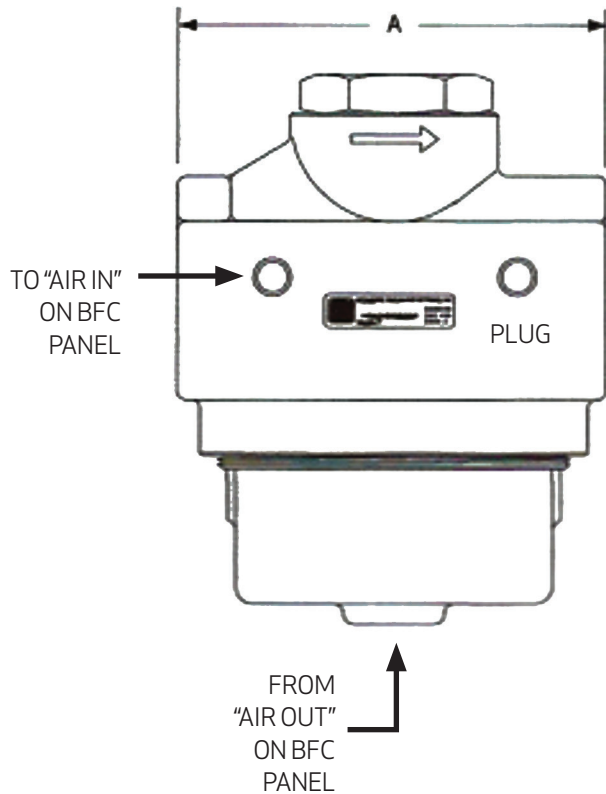
Atlas Air & Water
396 St. Croix Trail S., Suite 283
Lakeland, MN 55043

www.atlasairandwater.com
sales@atlasairandwater.com



DIMENSIONS

- A) 6.4" (16.2 cm)
- B) 3" (7.6 cm)
- C) 5" (12.7 cm)
- D) 5.8" (14.7 cm)



BFC-1000E Installation Guide and Panel

Page 2 of 2



Atlas Air & Water
396 St. Croix Trail S., Suite 283
Lakeland, MN 55043
www.atlasairandwater.com
sales@atlasairandwater.com