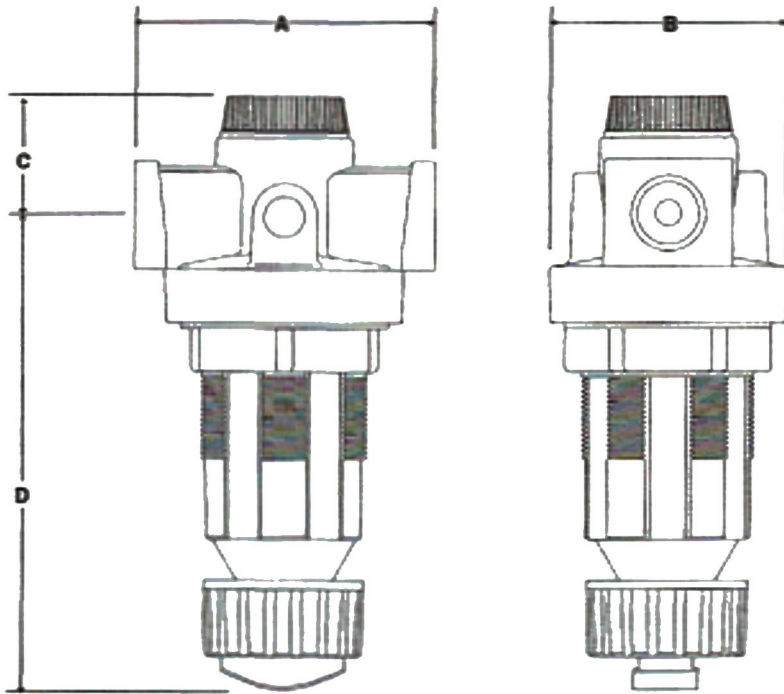




BFC- 1000P General and Dimensional Specifications



DIMENSIONS

- A) 3 1/2" (8.89 cm)
- B) 2 25/32" (7.06 cm)
- C) 1 5/16" (3.33 cm)
- D) 5 3/4" (14.6 cm)

GENERAL SPECIFICATIONS

Maximum Inlet Pressure 300 psig (21 bar)

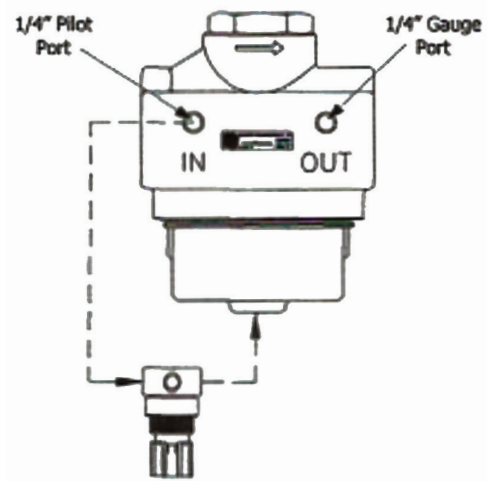
Maximum Inlet Pressure 300 psig (21 bar)

Adjusting Range

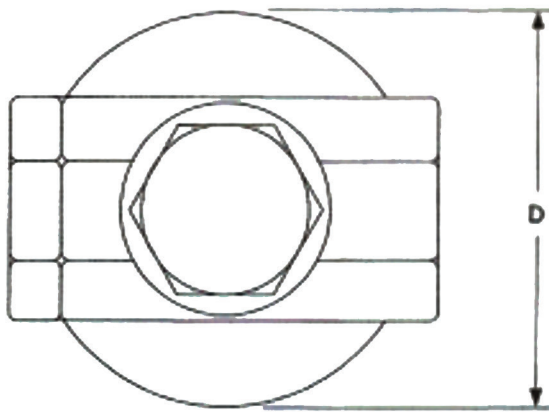
Standard Range 0-125 psig (0-8.6 bar)

Standard Range 0-175 psig (0-12.1 bar)

Standard Range 0-50 psig (0-3.3 bar)

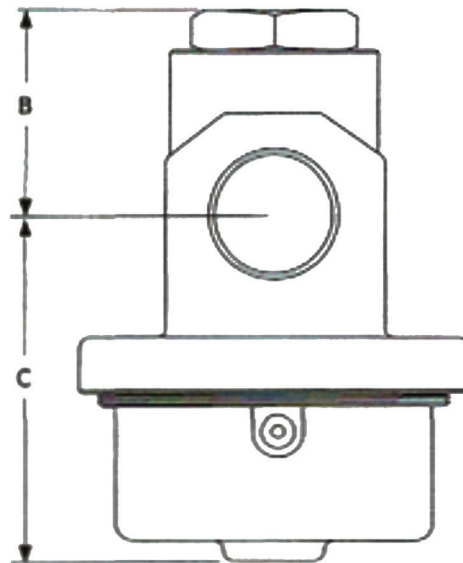
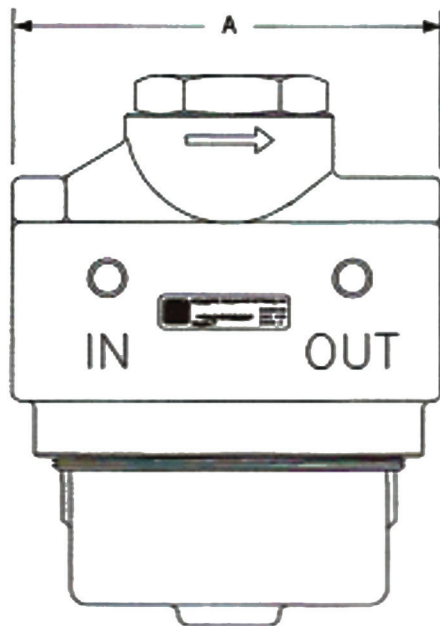


All regulators are standard with locking knots. A "key" is pushed in to adjust the regulator. When pulled out, the adjusting knob spins freely. Pried up on one end, the key is removed as shown and the regulator setting is tamper resistant.



DIMENSIONS

- A) 6.4" (16.2 cm)
- B) 3" (7.6 cm)
- C) 5" (12.7 cm)
- D) 5.8" (14.7 cm)



ATLAS AIR & WATER

396 St. Croix Trail South, Suite 283 • Lakeland, MN 55043

Phone: (612)940-9946 • Fax: (651) 490-3450

www.atlasairandwater.com • sales@atlasairandwater.com

Serving Industry Since 1986!



GET CONNECTED!

*Log on to our website
to learn more about our
products and services!*