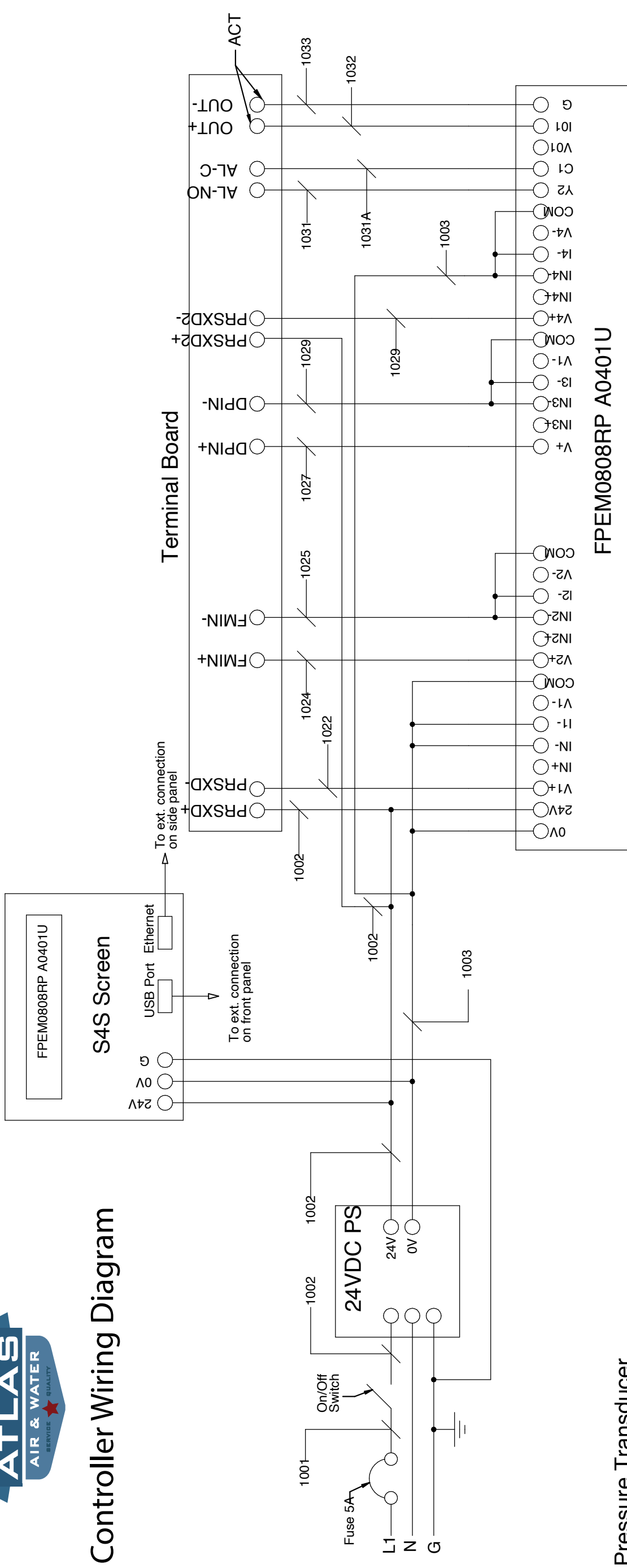




PFE Controller Wiring Diagram



- PRXD - Pressure Transducer
- F - Flow Meter (optional)
- DP - Dew Point Monitor (optional)
- PRXD2 - Second Pressure Transducer (optional)
- AL - Alarm Contacts
- ACT - Wires to KFC Valve Actuator

1.) AC Mains should be connected to earth grounded, three prong plug that comes with AAW Electronic Control Panel
 2.) If three prong grounded plug is removed the cabling should be of minimum 18 AWG wire and follow local, state and national codes

This drawing also contains work to be done on site. All site work (to include site preparation/ construction, system component assembly and installation, etc.) must be done in accordance with all relevant local, state, and national building, electrical, and occupational safety codes and regulations. Product manuals must be read and understood by the end-user and any sub-contractor responsible for, and prior to, installation of the equipment. Installation guidelines in the manuals must be followed. All Danger, Warning, and Caution notes and decals in the manuals and on the equipment must be observed. All equipment must comply with the relevant safety codes and standards in force at the time of manufacture.

Documents released by engineering are identified by these characteristics in the title block:
 Date of review/release and name of the reviewing/releasing individual.

Project No. Status		Station Setup ID			Station ID	
Rev	Modification	Date	Name	Original	Replaces	Replaced by
07						
06		2/17/2022	mhuberty			
05		2/17/2022	mhuberty			
04		2/17/2022	mhuberty			
03		Template Rev. 24.04.2018				
02		2/17/2022	mhuberty			
01	Updated Wiring Diagram	2/17/2022	mhuberty			
00	Wiring Diagram	4/11/2019	mhuberty			
KFC 2500E - 15000E Electronic Control Panel						
Page 1 of 1						
Paper size Description						
ANSI B /						
Sketch P&I Diagram						
Sketch WD 4323.01						
Replaces						

This drawing depicts a typical installation for the AAW equipment requested within the dimensions supplied. This is not indicative of all additional site work required to complete the installation.

Neither the original nor copies may be provided or disclosed to third parties in any fashion. We reserve the right to make changes in the course of development. This drawing can only be modified with CAD.