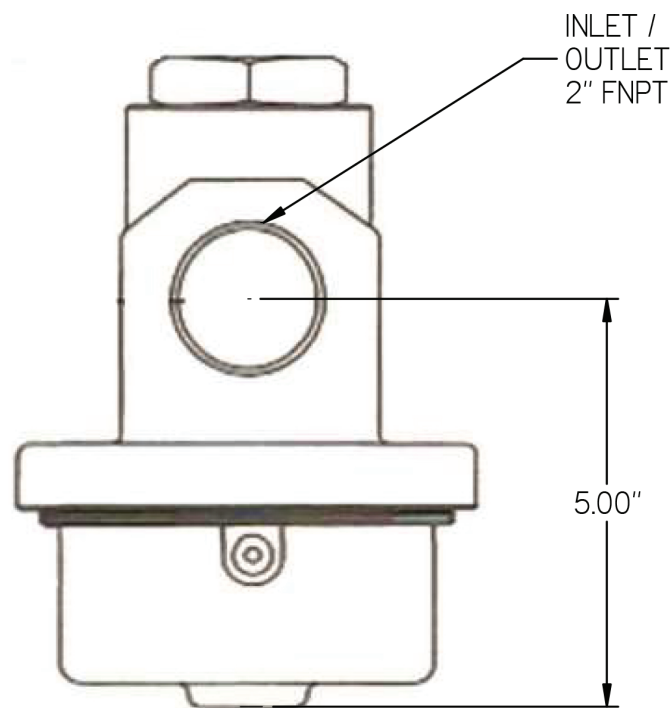
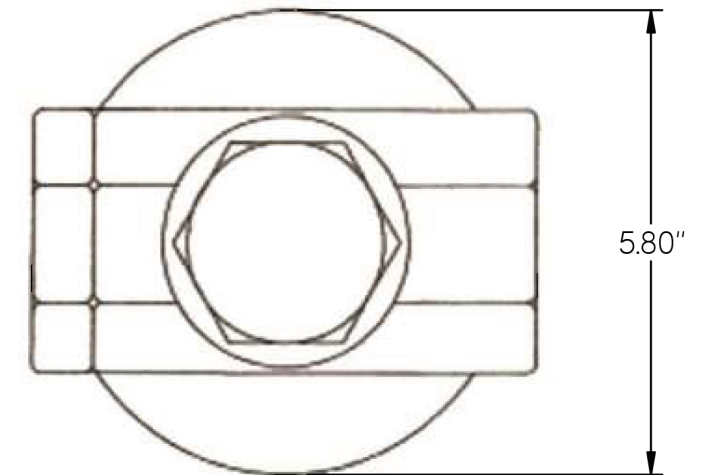
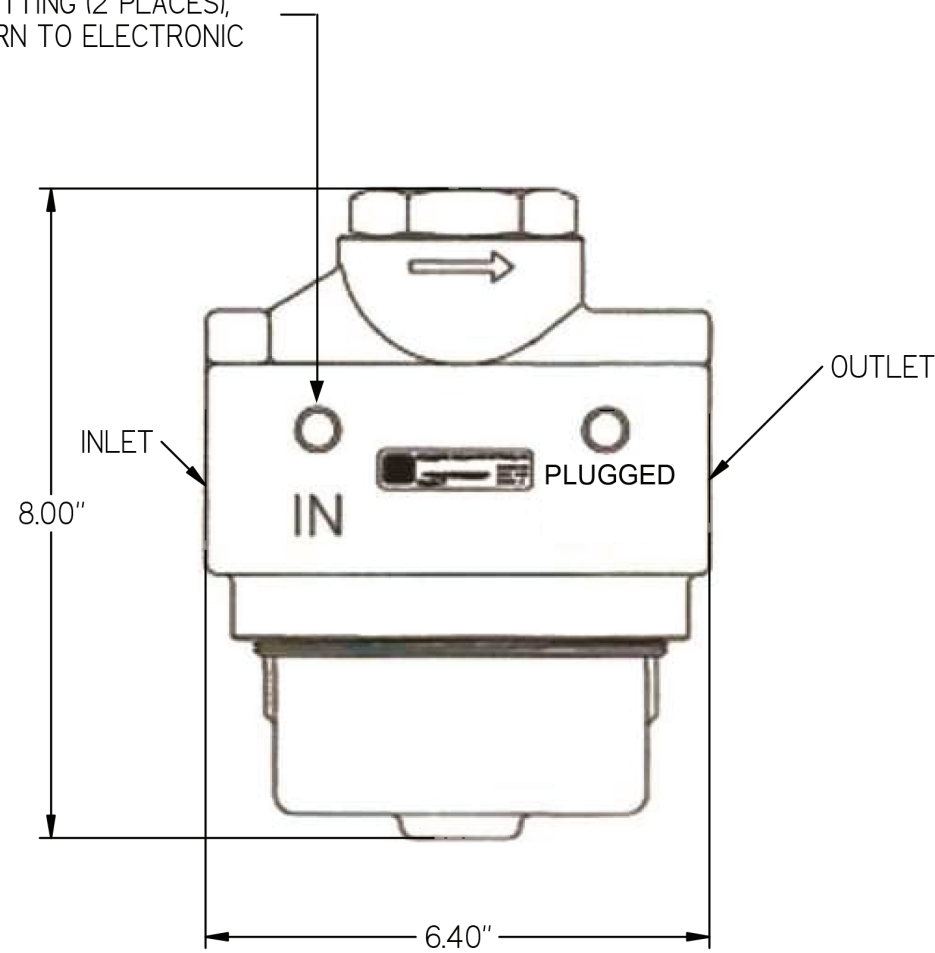


Atlas Air & Water, Inc.

BFC1000E



1/4" JOHN GUEST FITTING (2 PLACES),
SUPPLY AND RETURN TO ELECTRONIC
CONTROL PANEL



NOTES:

- 1) Dimensions are for reference only.
- 2) Max Operating Pressure: 250 psig
Operating Pressure range: 85-250
PSIG Set Point Range: 40-225 psig
- 3) BFC must be properly supported. Follow installation instructions
- 4) Flow rating based on 110 psig inlet, 100 psig set point (outlet) and 68° F compressed air temperature. Flow rating will vary under different conditions.

CONFIDENTIAL -
This document is the property of Atlas Air & Water, Inc. and is intended for internal use only. It is not to be distributed outside the company.

Note	Position	Modified from	Date	Intr./Appd.
4				

All materials supplied are in compliance with the requirements of the List of Prohibited Substances

Tolerances if not indicated according to:					
+/- 1.0"					
Name		Confidentiality Class acc to 1102N		Internal	
Material				ACD	
Treatment					
Scale	Family	A1	Compare	Drawing owner	
Drawn by Corporate	Blank nr.	Replaces		JCR	
Version Drawn	Blank wt.	Kg	First wt.	0	Kg
Designation					
RELEASED	Des checked.	Prod checked.	Approved	Date	11/5/19