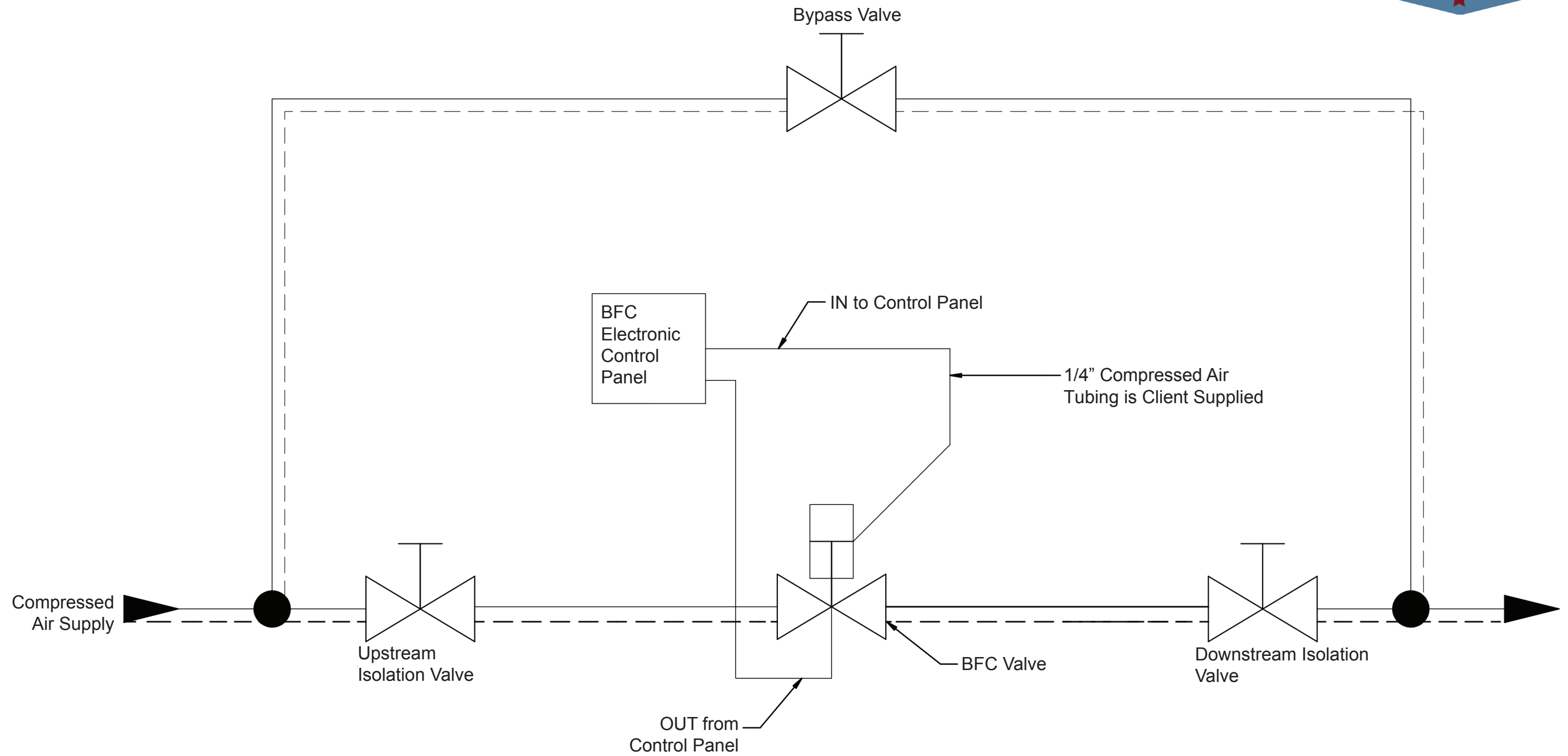


# BFC 1000 E & BFC 3000 E



**NOTES:**

- 1) Dimensions are for reference only.
- 2) Compressed air supply must be clean dry air.
- 3) Bypass recommended but not provided. Bypass installed by others.
- 4) Style of isolation valve (ball or butterfly) will vary depending on pipe size. Between isolation valves, on both sides of the BFC, a method to "bleed" the air line is required but not shown.

CONFIDENTIAL: This drawing is the property of Atlas Air & Water, Inc. and is not to be reproduced or used in any manner without the prior written consent of Atlas Air & Water, Inc.

Note	Position	Modified from	Date	Intr./Appd.
4				

All materials supplied are in compliance with the requirements of the List of Prohibited Substances

Tolerances if not indicated according to:		+/- 1.0"	
Name	Confidentiality Class	Internal	
Material	Internal	ACD	
Treatment			
Scale	Family	A1	Compare
Drawn by	Corporate	Blank nr.	Replaces
Version Drawn	1	Blank wt.	0
Des. checked.	Prod. checked.	Approved.	Date
RELEASED			11/5/19

Drawing owner  
**JCR**