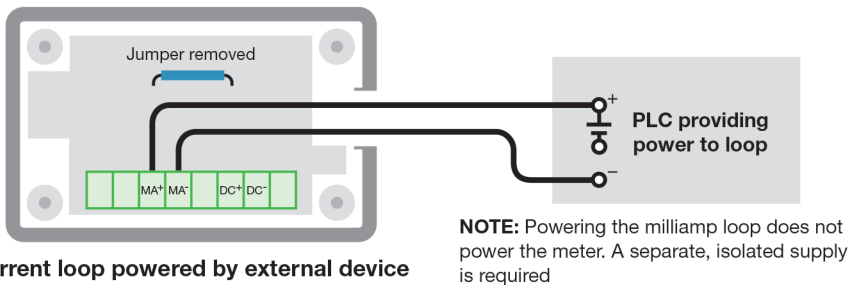
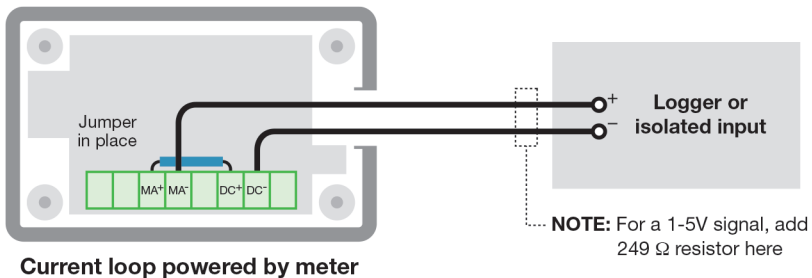


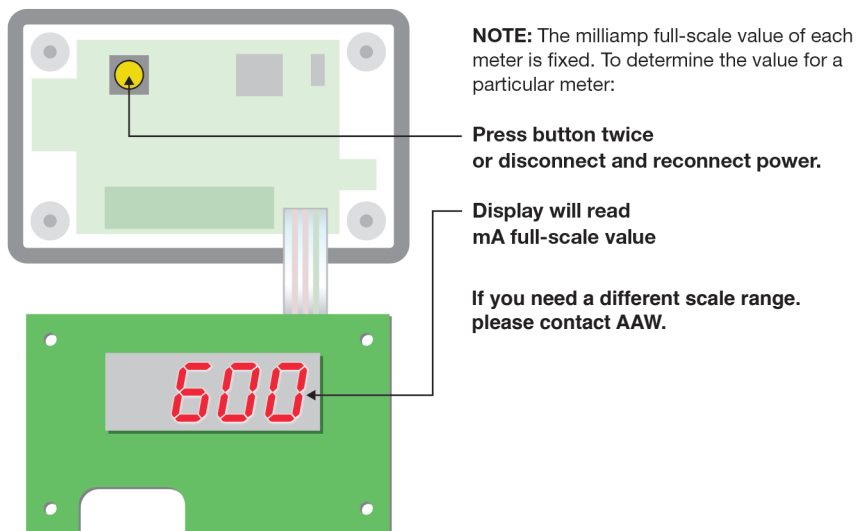
5. Wiring the Milliamp Output



Installation and Operating Instructions ATLAS AIR & WATER DIGITAL FLOW METER

Please refer to the data sheets for more detailed instructions.

6. Milliamp Scaling



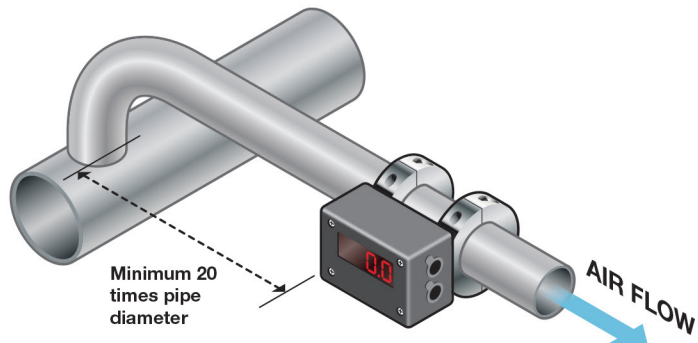
ATLAS AIR AND WATER
737 Quentin Avenue South
Lakeland, MN 55043
www.atlasairandwater.com
sales@atlasairandwater.com
Serving Industry Since 1986!



GET CONNECTED!
Log on to our website
to learn more about our
products and services!

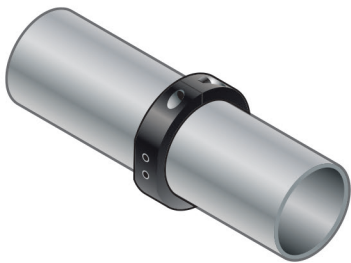
AAW1032-05232013

1. Meter Location

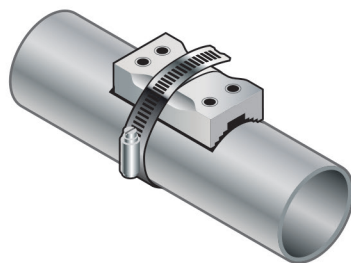


- Maximum pressure is 200 psi in Sch. 40 steel and Type L Copper. Consult AAW about other applications.
- Air must be free of water droplets. Locate the meter downstream of a dryer. Otherwise, locate it after a mist-removal filter.
- Provide at least 20 diameters of straight pipe upstream of the meter, or 30 if it is downstream of anything that could distort or concentrate the flow.
- Weather resistant option or 6000 Series is required if the case could be exposed to moisture.

2. Drilling the Holes



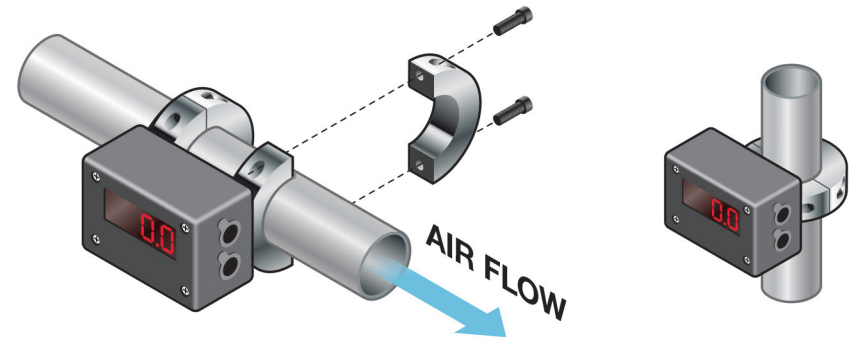
Half-Ring Drill Guide



Universal Drill Guide
with Band Clamp

- Air *must* be shut down.
- Wear eye protection.
- Shavings will enter pipe; make sure they will not cause problems downstream.
- Orient the drill guide for optimal meter visibility.

3. Mounting the Meter



- Check the flow direction.
- Orient display to suit application – rotate cover and display 180 degrees if appropriate.
- Do not over-tighten screws.

4. Powering the Meter

