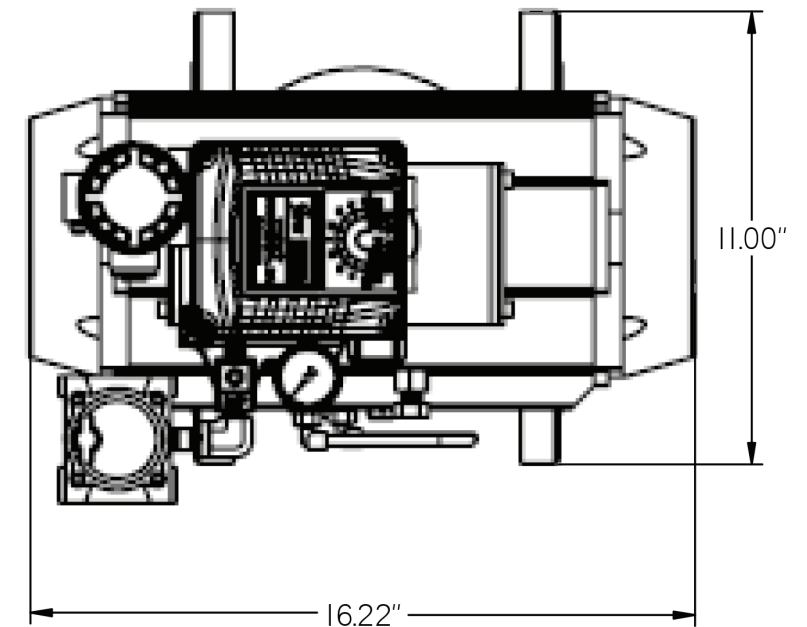
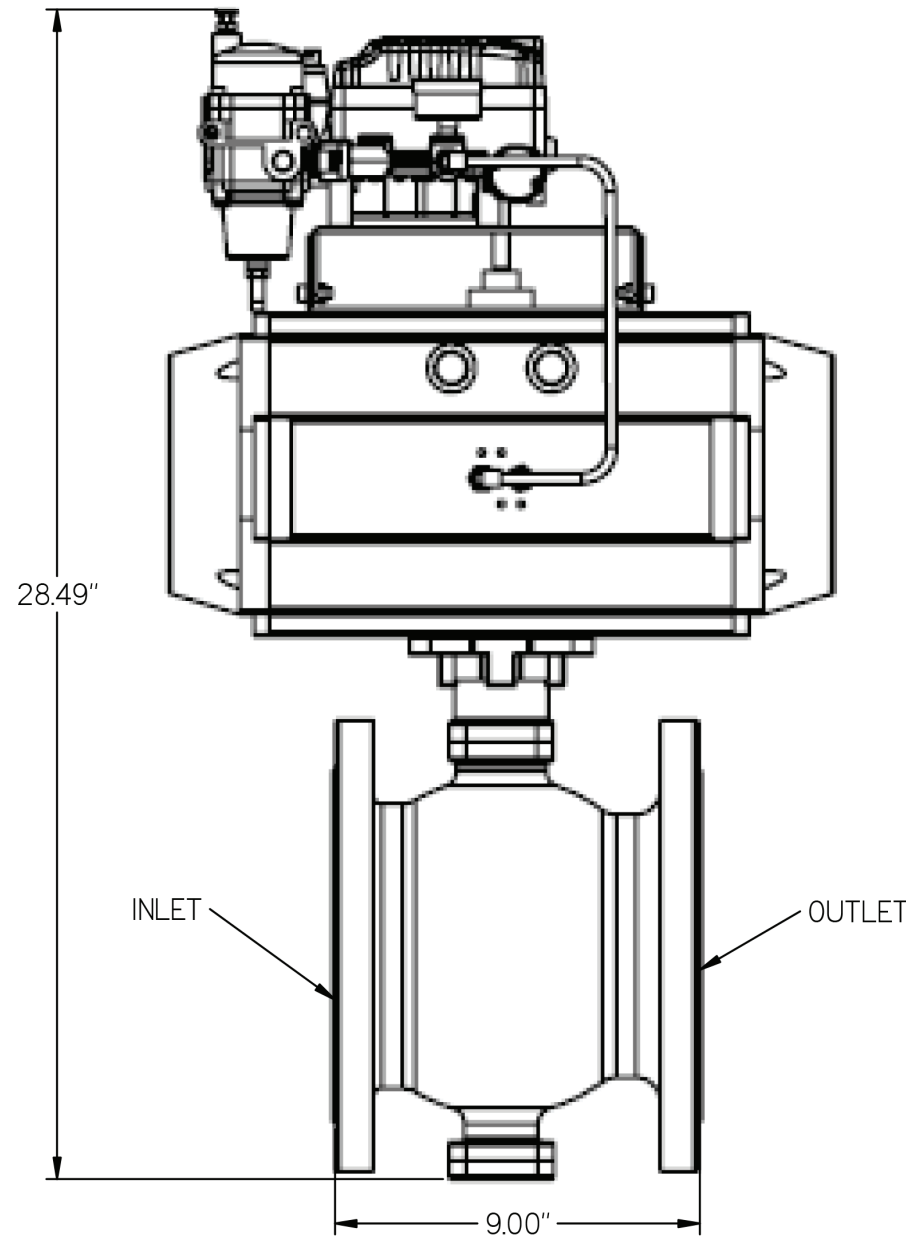
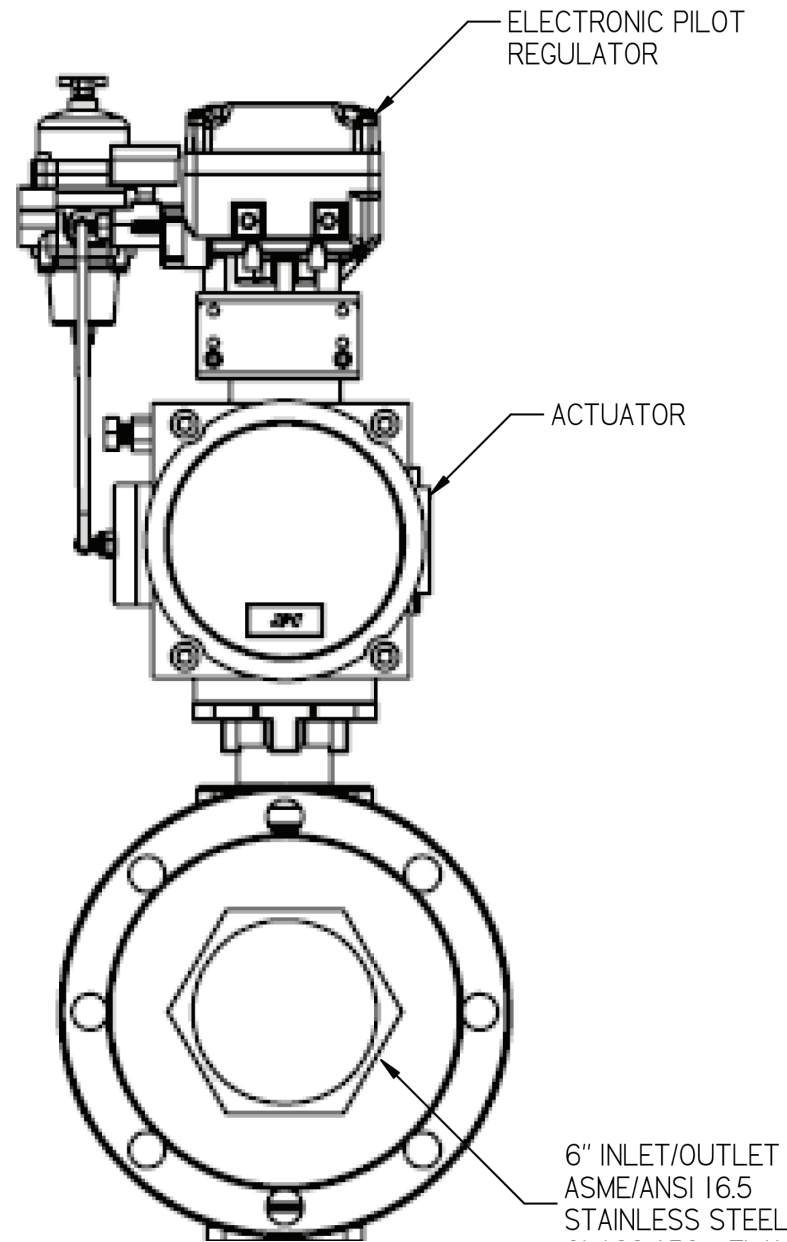


PFE-6



- NOTES:
- 1) Dimensions are for reference only.
 - 2) Max Operating Pressure: 250 psig
Operating Pressure range: 85-250
PSIG Set Point Range: 40-225 psig
 - 3) PFE must be properly supported. Follow installation instructions
 - 4) Flow rating based on 110 psig inlet, 100 psig set point (outlet) and 68' F compressed air temperature. Flow rating will vary under different conditions.
 - 5) ASME B16.5 150# Flanges
 - 6) Compressed air supply must be clean, dry air.
 - 7) Bypass recommended but not provided. Bypass installed by others.
 - 8) Style of isolation valve (ball or butterfly) will vary depending on pipe size. Between isolation valves, on both sides of the PFE, a method to "bleed" the air line is required but not shown.

CONFIDENTIAL - This document is the property of Atlas Air & Water, Inc. and is not to be distributed outside the company.

Note	Position	Modified from	Date	Intr./Appd.
4				

Tolerances if not indicated according to: +/- 1.0"									
Name								Confidentiality Class per to 1102K	
Material								Internal	
Treatment								ACD	
Scale		Family		A1		Compare		Drawing owner	
Drawn by Corporate		Blank no.		Replaces		JCRC			
Version Drawn		Blank wt. Kg		Fini wt. 0 Kg		Designation			
RELEASED		Des checked.		Prod checked.		Approved		Date 11/5/19	

All materials supplied are in compliance with the requirements of the List of Prohibited Substances

S.

G.