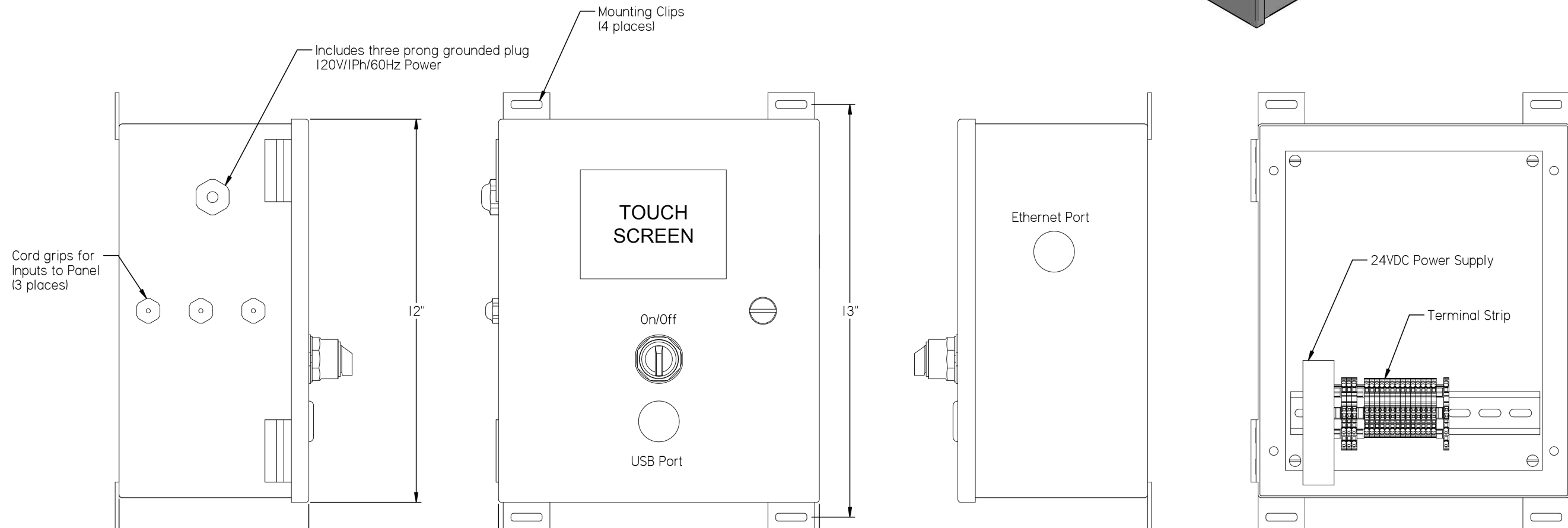
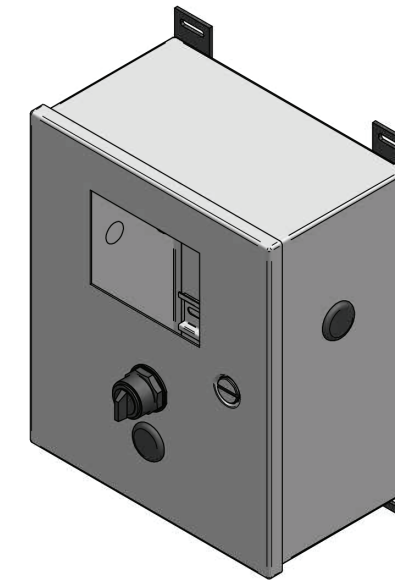


Atlas Air & Water, Inc.

PFE Electronic Control Panel



NOTES:

- 1) Dimensions are for reference only.
- 2) AC Mains should be connected to earth grounded, three prong plug that comes with the control panel.
- 3) If three prong ground plug is removed the cabling should be of minimum 18 AWG wire and should follow local state and national codes.

CONFIDENTIAL - This document is the property of Atlas Air & Water, Inc. and is not to be distributed outside the company.

Note	Position	Modified from	Date	Intr./Appd.
4				

All materials supplied are in compliance with the requirements of the List of Prohibited Substances

Tolerances if not indicated according to:			
+/- 1.0"			
Name	Confidentiality Class acc. to 1102K		
Material	Internal		
Treatment	ACD		
Scale	Family	A1	Compare
Drawn by Corporate	Blank nr.	Replaces	
Version Drawn	Blank wt.	Kg	First wt. 0 Kg
status	Prod checked.	Approved	Date
RELEASED			11/5/19

S.

G.

JCR